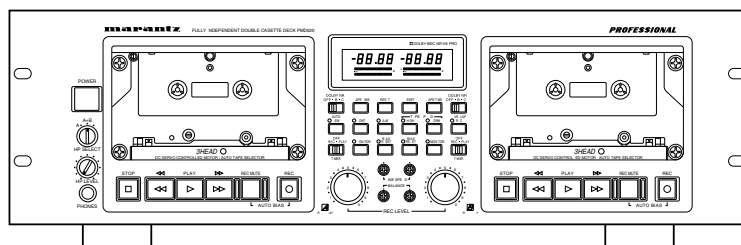


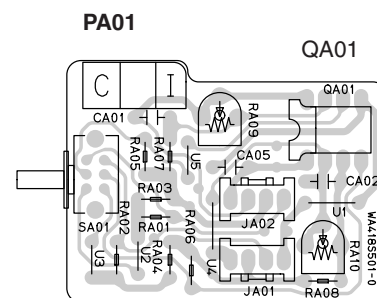
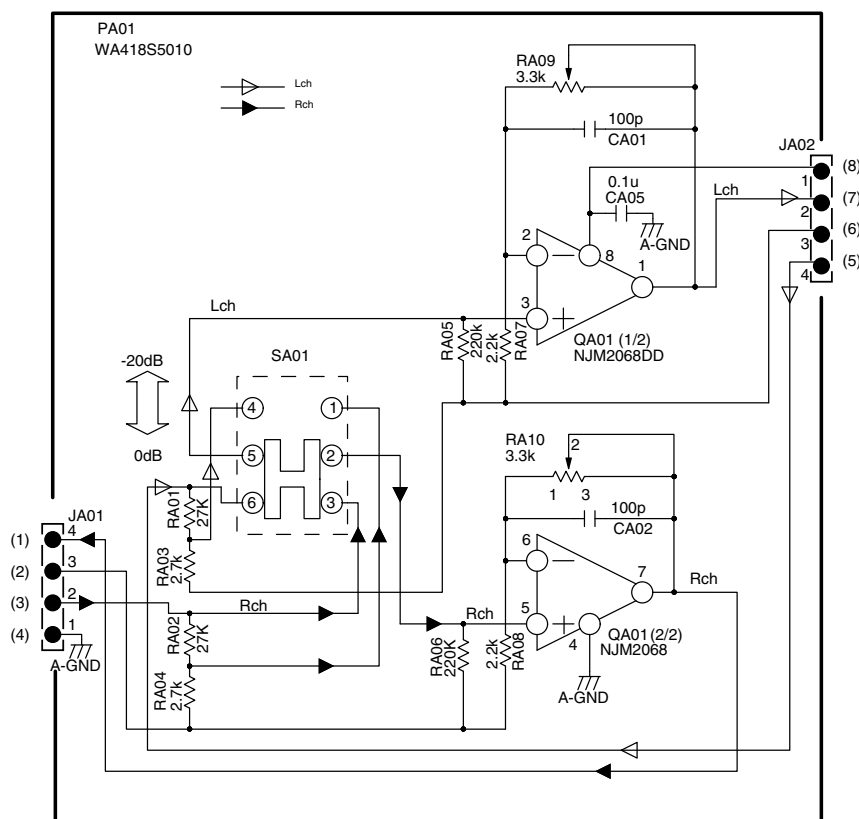
Service Manual

PMD520/F1B

Fully Independent Double Cassette Deck



PMD520FBは74PMD520/02B PMD520Uの電源部分の変更及び入力ATT回路(PA01)を追加した製品です。このサービスマニュアルには74PMD520/02B PMD520Uとの相違部分のみを記載しております。その他の部分は74PMD520/02B PMD520Uのサービスマニュアル(418S855010または4822 725 51174)を参照して下さい。



修理の際は、必ず取扱説明書を準備し操作方法を確認の上作業を行ってください。

marantz®

PMD520

| Pos. No. | PARTS NO. | DESCRIPTION | Page |
|----------|------------|--|----------|
| PA01 | | ATT CIRCUIT BOARD | PA01 New |
| CA01 | DK16101300 | 100pF K 50V | PA01 New |
| CA02 | DK16101300 | 100pF K 50V | PA01 New |
| CA05 | DD38104010 | 0.1μF +80%-20% 50V DC | PA01 New |
| RA01 | GD05273160 | 27kΩ ±5% 1/6W | PA01 New |
| RA02 | GD05273160 | 27kΩ ±5% 1/6W | PA01 New |
| RA03 | GD05272160 | 2.7kΩ ±5% 1/6W | PA01 New |
| RA04 | GD05272160 | 2.7kΩ ±5% 1/6W | PA01 New |
| RA05 | GD05224160 | 220kΩ ±5% 1/6W | PA01 New |
| RA06 | GD05224160 | 220kΩ ±5% 1/6W | PA01 New |
| RA07 | GD05222160 | 2.2kΩ ±5% 1/6W | PA01 New |
| RA08 | GD05222160 | 2.2kΩ ±5% 1/6W | PA01 New |
| RA09 | RA03320780 | VR. 3.3kΩ | PA01 New |
| RA10 | RA03320780 | VR. 3.3kΩ | PA01 New |
| QA01 | HC10053090 | IC NJM-2068-DD | PA01 New |
| SA01 | SS02021710 | SW. SSAA22-B NON-SHORTING | PA01 New |
| QU01 | *HS418ST1R | Microprocessor(programmed) TMP87PM41N | P800 59p |
| ▲ | J092 | YJ04002360 AC INLET 2P SOT-16C | Exv. 47p |
| ▲ | L001 | TS15725180 MAINS TRANSF. | Exv. 47p |
| ▲ | W001 | ZC01801050 MAINS CORD FOR JAPAN | Exv. 47p |
| | 002T | 418S851110 USER GUIDE | Exv. 47p |

【 変更追加は以下の部分 】

1. TECHNICAL SPECIFICATIONS

Input Sensitivity

Line A (F) 1V

Line B (F) 100mV

Input Impedance

Line A (F) 25kΩ

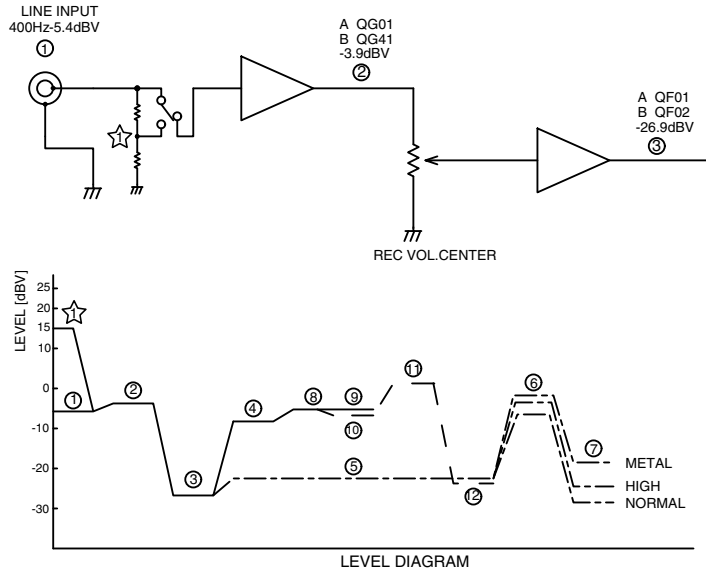
Line B (F) 100kΩ

Power Supply

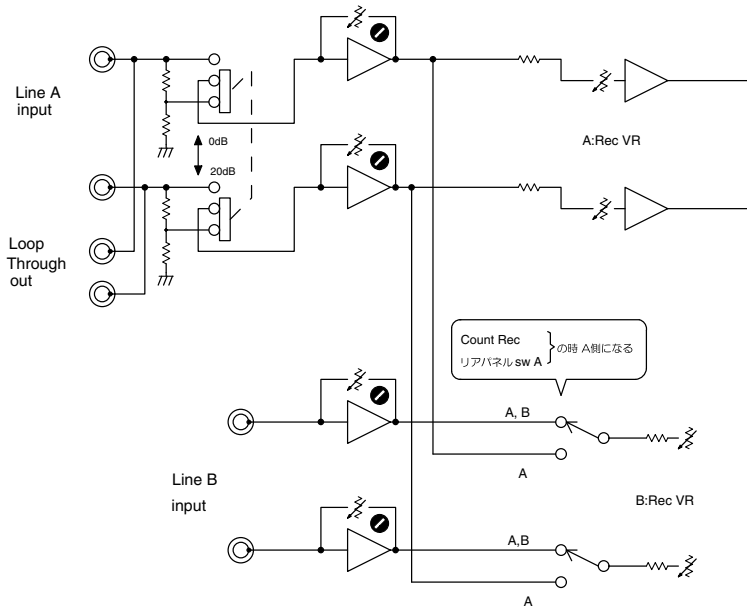
Power Requirement

F Version 100V AC 50/60Hz

2. LEVEL DIAGRAM



3. BLOCK DIAGRAM

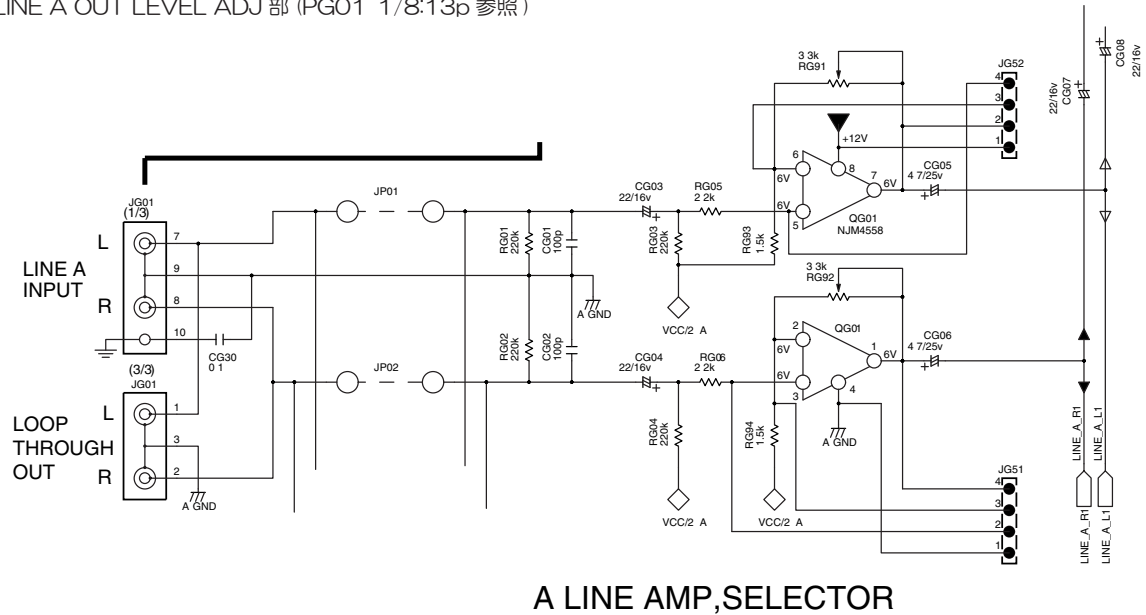


4. CONNECTION DIAGRAM

・ PA01 は PGO1 基板上にコネクタでマウントされています。

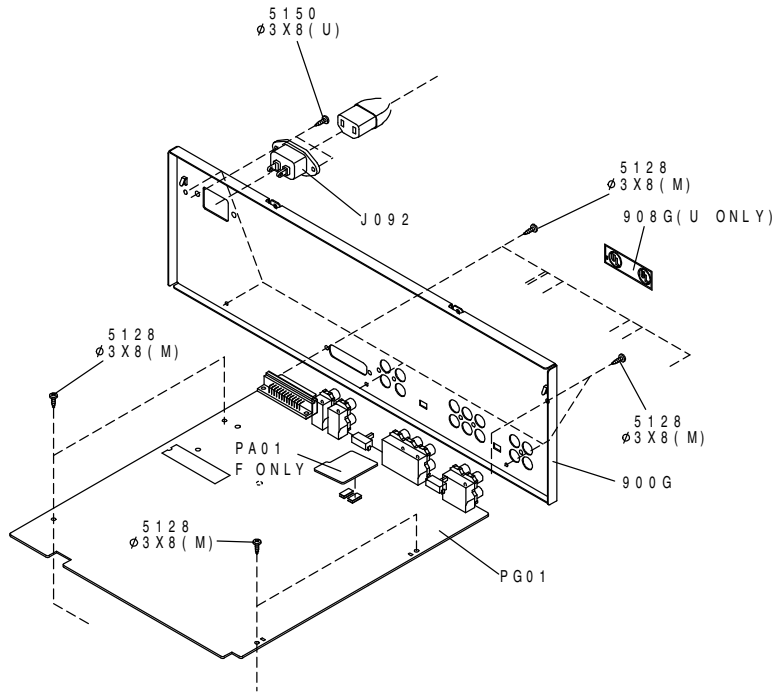
5. SCHEMATIC DIAGRAM

・ LINE A OUT LEVEL ADJ 部 (PG01 1/8:13p 参照)



・ 電源部は USA Version と同じ回路図 (P851:31p 参照)

6. EXPLODED VIEW



9. ELECTRICAL ADJUSTMENTS

・調整部は3箇所 (51p, 53p 参照)

2. S.R.L Setting

- 1) Apply a 1kHz, Line A : 1100 mV(F) / 100 mV(U, /02), Line B : 100 mV to the LINE INPUT jacks.
- 2) Put the unit in RECORD mode and adjust the REC LEVEL control to obtain 388 mV of signal at the DOLBY test points J601 (Deck A) and J651 (Deck B).
- 3) Adjust the output of the audio oscillator applied to the LINE INPUT jacks to 70.8 mV (-3 dB). This is the rated recording condition for the STANDARD RECORDING LEVEL (S.R.L.).

9.4 LINE OUTPUT LEVEL ADJUSTMENT

- 1) Connect the audio oscillator to the LINE INPUT jacks.
- 2) Connect the VTVM to LINE OUTPUT jacks.
- 3) Set the MONITOR switch to the source position.
- 4) Set the REC volume to the center click position.
- 5) Supply 100 mV to the LINE INPUT jacks.
- 6) Adjust the following semi-fixed resistor to set Line A : 1100 mV(F) / 100 mV(U, /02), Line B : 100 mV from the LINE OUTPUT jacks;

注 : Line A は SW. : SA01 (PA01) を 20dB 側にする。

| CH. | ADJUSTMENT POINT | MECHA. | Ver. |
|-----|-------------------------|--------|--------|
| L | RA09 (SA01:-20dB, PA01) | A | F |
| R | RA10 (SA01:-20dB, PA01) | A | F |
| L | RG91 | A | U, /02 |
| R | RG92 | A | U, /02 |
| L | RG95 | B | |
| R | RG96 | B | |

9.7 REC/PLAY-BACK FREQUENCY RESPONSE ADJUSTMENT

- 1) Insert the AC-225 tape in the holder.
- 2) Set the REC volume to the center position.
- 3) Supply 1kHz Line A : 330 mV(F) / 30 mV(U, /02), Line B : 30 mV to the line input jacks.
- 4) Record the 400Hz and 12.5kHz signals by turns.
- 5) Playback the section just recorded, and adjust the following semi-fixed resistor so that the level of differences between 400Hz and 12.5kHz are within 1.0dB;

| CH. | ADJUSTMENT POINT | MECHA. |
|-----|------------------|--------|
| L | R901 | A |
| R | R902 | A |
| L | R951 | B |
| R | R952 | B |

- 6) Only check HIGH POSITION and METAL tapes.